

Train Antenna

380 – 430 MHz

87010008

KATHREIN

- Low profile antenna in fiberglass radome.
- The antenna fulfils the requirements according to EN 50155.

Type No.	87010008
Antenna	
Input	N female
Frequency range	380 – 430 MHz
VSWR	< 1.7
Gain	0 dB (ref. to the quarter-wave antenna)
Impedance	50 Ω
Polarization	Vertical
Max. power	100 W (at 50° C ambient temperature)
Inner conductor	DC grounded
Radome weight	186 g
Total weight	Approx. 500 g
Packing size, L x W x H	150 x 90 x 190 mm
Height	150 mm

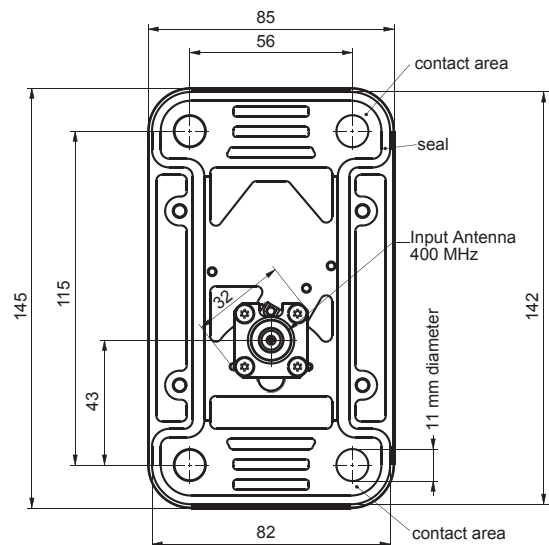


Material: Radiator: Copper and brass.
Flange: Aluminum. Radome: Fiberglass.
All screws and nuts: Stainless steel.
Colour: Grey.
Sealing: Neoprene and silicon. **Note:** Don't use detergents that might harm the sealing.

Mounting: On a conductive surface with a minimum size of 1000 x 1000 mm using 4 M10 bolts.

Grounding and high voltage protection: This antenna, tested by an independent institute and approved by the "Deutsche Bahn AG", is DC grounded to protect against lightning and high-tension lines.

Mounting flange:

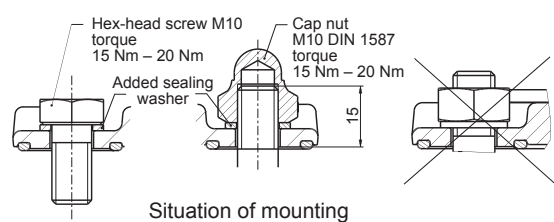


Mounting hole for the connector: 33 (max. 35) mm diameter.

Note: Keep mounting surface clear of paint for electrical contact.

Evenness of opposite surface 0.2 mm.

Use a cap nut or hex-head screw plus the enclosed sealing washer.



Tram and Bus Antenna

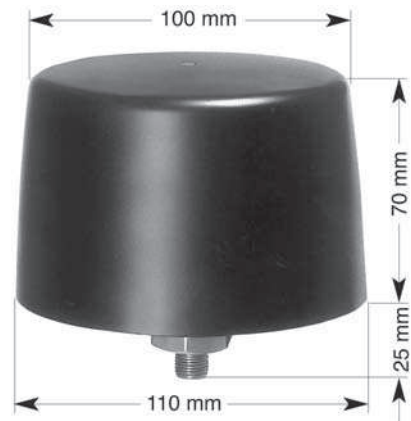
406 ... 470 MHz

K702321., K702323.

KATHREIN

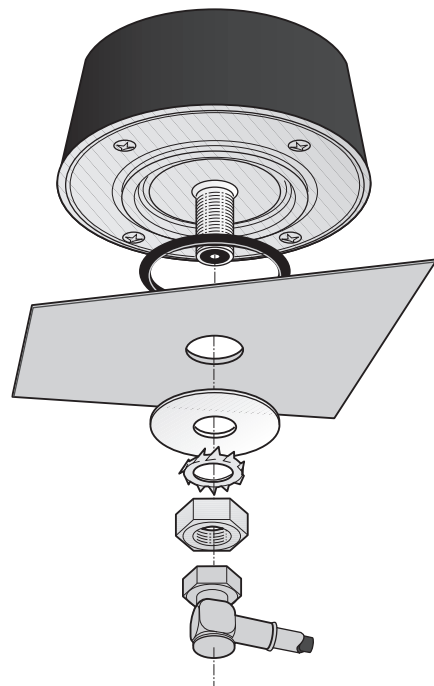
Frequency range 406 – 428 MHz

Type No.	K7023210	K702321	K7023211
Input	M 11 x 1 female (the connector for cable RG 58 C/U is supplied).	M 11 x 1 female (the connector for cable RG 213/U is supplied).	N female
Drill hole dimension	12 mm	12 mm	17 mm
Frequency range	406 – 428 MHz		
VSWR	406 – 410 MHz: < 1.9 410 – 425 MHz: < 1.7 425 – 428 MHz: < 1.9		
Gain	0 dB (ref. to the quarter-wave antenna)		
Impedance	50 Ω		
Polarization	Vertical		
Max. power	50 W (at 50 °C ambient temperature)		
Weight	0.40 kg		
Packing size (outside)	117 x 117 x 114 mm		
Height	70 mm		
Mounting	On a conductive surface 70 x 70 cm min.		



Frequency range 440 – 470 MHz

Type No.	K7023230	K702323	K7023231
Input	M 11 x 1 female (the connector for cable RG 58 C/U is supplied).	M 11 x 1 female (the connector for cable RG 213/U is supplied).	N female
Drill hole dimension	12 mm	12 mm	17 mm
Frequency range	440 – 470 MHz		
VSWR	440 – 450 MHz: < 1.7 450 – 465 MHz: < 1.5 465 – 470 MHz: < 1.7		
Gain	0 dB (ref. to the quarter-wave antenna)		
Impedance	50 Ω		
Polarization	Vertical		
Max. power	50 W (at 50 °C ambient temperature)		
Weight	0.40 kg		
Packing size (outside)	117 x 117 x 114 mm		
Height	70 mm		
Mounting	On a conductive surface 50 x 50 cm min.		



Material: Radiator and base: Aluminum.
Radome: High impact plastic.
All screws and nuts: Stainless steel.

Mounting: The drilling diameter is 12 mm except the N connector versions: 17 mm.
A special zinc washer ensures a good contact at the edges of the hole.

Special features: All metall parts of this antenna are DC grounded.
Extreme robust and car-wash proof vehicular antenna.

Train Antenna 410 – 470 MHz K702021

KATHREIN

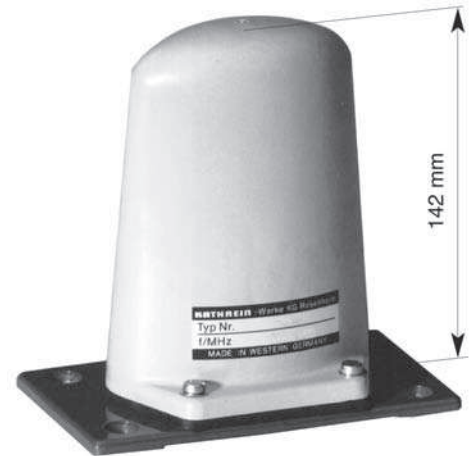
- Low profile broadband antenna in fiberglass radome.

Type No.	K702021
Input	N female
Frequency range	410 – 470 MHz
VSWR	< 1.5
Gain	0 dB (ref. to the quarter-wave antenna)
Impedance	50 Ω
Polarization	Vertical
Max. power	170 W (at 50° C ambient temperature)
Radome weight	159 g
Total weight	500 g
Packing size (outside)	151 x 87 x 210 mm

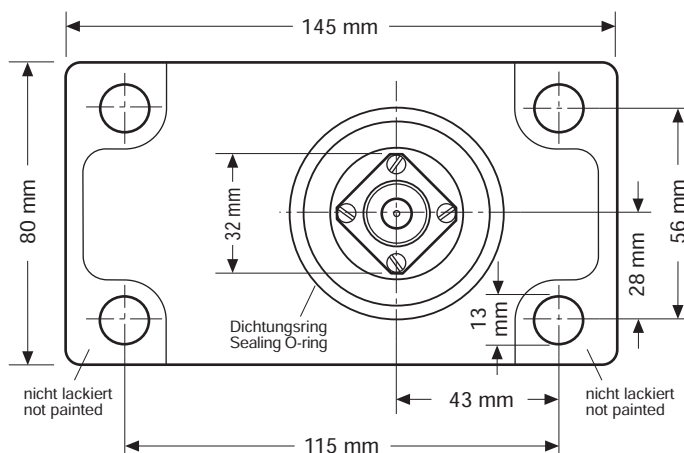
Material: Radiator and Flange: Aluminum.
Radome: Fiberglass, colour: Light grey.
All screws and nuts: Stainless steel.
Sealing: Neoprene and rubber. **Note:** Don't use detergents that might harm the sealing.

Mounting: On a conductive surface with a minimum size of 50 x 50 cm by means of existing M10 studs.

Grounding and high voltage protection: This antenna approved by the "Deutsche Bahn AG" is DC grounded to protect against lightning and high-tension lines.



Mounting flange:



Mounting hole for the connector: 33 (max. 35) mm diameter.

Note: Keep mounting surface clear of paint for electrical contact.

Train Antenna

410 – 430 / 450 – 470 MHz

725892, K702121

KATHREIN

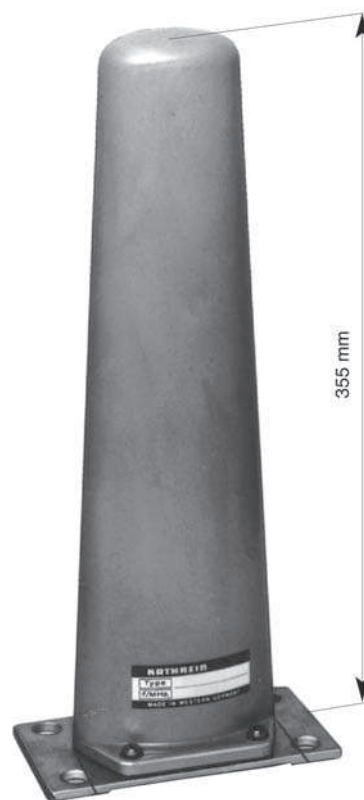
• 2 dB gain broadband antenna in fiberglass radome.

Type No.	725892	K702121
Input	N female	
Frequency range	410 – 430 MHz	450 – 470 MHz
VSWR	< 1.5	
Gain	2 dB (ref. to the quarter-wave antenna)	
Impedance	50 Ω	
Polarization	Vertical	
Max. power	640 W (at 50° C ambient temperature)	
Radome weight	365 g	
Weight	800 g	
Packing size (outside)	151 x 90 x 415 mm	

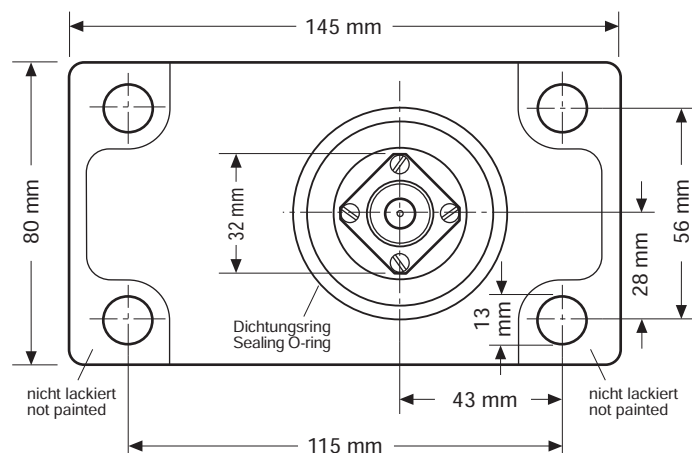
Material: Radiator and Flange: Aluminum.
Radome: Fiberglass, colour: Light grey.
All screws and nuts: Stainless steel.
Sealing: Neoprene and EPDM. **Note:** Don't use detergents that might harm the sealing.

Mounting: On a conductive surface with a minimum size of 50 x 50 cm by means of existing M10 studs.

Grounding and high voltage protection: This antenna approved by the "Deutsche Bahn AG" is DC grounded to protect against lightning and high-tension lines.



Mounting flange:



Mounting hole for the connector: 33 (max. 35) mm diameter.

Note: Keep mounting surface clear of paint for electrical contact.