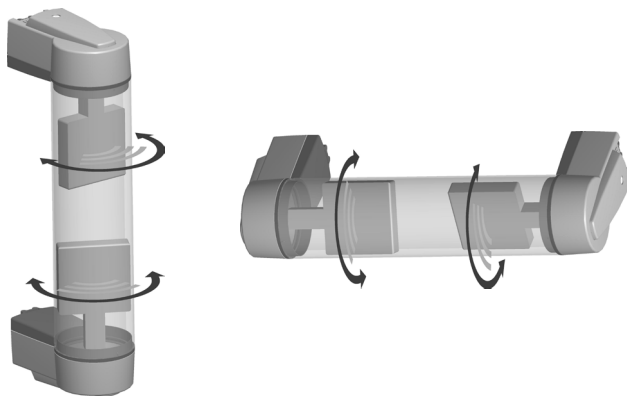


We are pleased to announce the upcoming product launch of the 4-port micro cell antenna 80010843. With this antenna, Kathrein is introducing an innovative technology with two rotatable antenna modules in one radome.

The desired angle between the modules can be individually set by the user without effort, providing the possibility to cover two sectors and to realise flexible MIMO applications. Horizontal or vertical wall or pole mounting is possible.

> 80010843

4-Port Antenna	$\pm 45^\circ$ Dual Polarization
Frequency [MHz]	2 x 1695-2690
Gain [dBi]	2 x 7.5
HPBW [°]	2 x 85
Size [mm]	526 / \varnothing 100
Size [inches]	20.7 / \varnothing 3.9
Connectors	4 x 4.3-10 female



The corresponding data sheet is available in our customer portal. Please contact your Kathrein sales partner for further information.